

PROJECT NAME	
ORDERING #	TYPE



## DETAILS

This LED high bay can brighten warehouses, factories, gymnasiums, and other large indoor areas with up to 24,000 lumens of cool white light. You will experience the same level of illumination as your old metal halide lights at a fraction of the wattage when you choose these energy efficient LEDs.

## SPECIFICATIONS

<b>Input Power</b>	67W, 97W, 140W, 190W
<b>Input Voltage</b>	120-277VAC
<b>Light Output</b>	67W - 9,100 lumens 97W - 12,300 lumens 140W - 17,500 lumens 190W - 24,000 lumens
<b>System Efficacy</b>	125-136 lm/W
<b>CCT</b>	5000K
<b>CRI</b>	80
<b>Beam Angle</b>	120°
<b>Cover</b>	Frosted
<b>Dimmable</b>	Yes
<b>Recommended Dimmer</b>	Lutron DVSTV and DDTV 0-10V Dimmers
<b>Average Lamp Life</b>	50,000 hours
<b>Enclosure Rating</b>	IP65
<b>Mounting</b>	Hook Mount / Ceiling Mounting
<b>Controls</b>	Motion Sensing
<b>Certification</b>	DLC, UL
<b>Warranty</b>	5 years

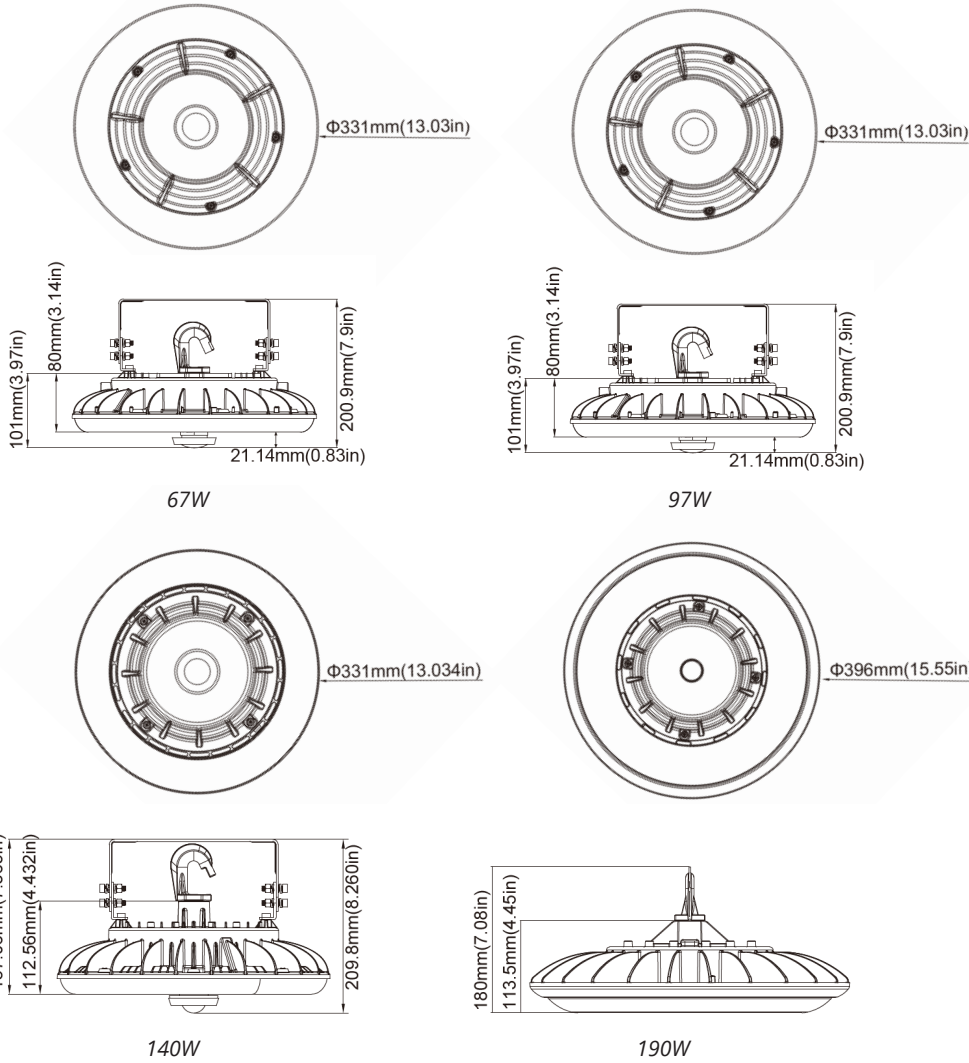


## ORDERING

Example: **HBM06BB067UD50**

SKU Root	Finish	Wattage / Lumens	Certification	CCT	Options
<b>HBM06</b>	<b>BB</b> - Black	<b>067</b> - 67W, 9,100 lm <b>097</b> - 97W, 12,300 lm <b>140</b> - 140W, 17,500 lm <b>190</b> - 190W, 24,000 lm	<b>UD</b> - DLC, UL	<b>50</b> - 5000K	<b>Blank</b> - None

DIMENSIONS



PHOTOMETRICS

