

PROJECT NAME	
ORDERING #	TYPE



### DETAILS

Brightly illuminate your courtyard, landscape features, or entrances to your commercial or industrial building with this large, energy efficient wall pack. With up to 17,400-lumens from this LED light, you can easily swap out old fluorescents or metal halides without sacrificing any brightness. By making the switch, your company will reduce energy consumption by 70%.



### SPECIFICATIONS

<b>Input Power</b>	60W, 120W
<b>Input Voltage</b>	100-277VAC
<b>Light Output</b>	60W - 8,400 lumens 120W - 17,400 lumens
<b>System Efficacy</b>	140-145 lm/W
<b>CCT</b>	5000K
<b>CRI</b>	>80
<b>Beam Angle</b>	110°
<b>Average Lamp Life</b>	50,000 hours
<b>Enclosure Rating</b>	IP65
<b>Certification</b>	DLC, UL
<b>Warranty</b>	5 years

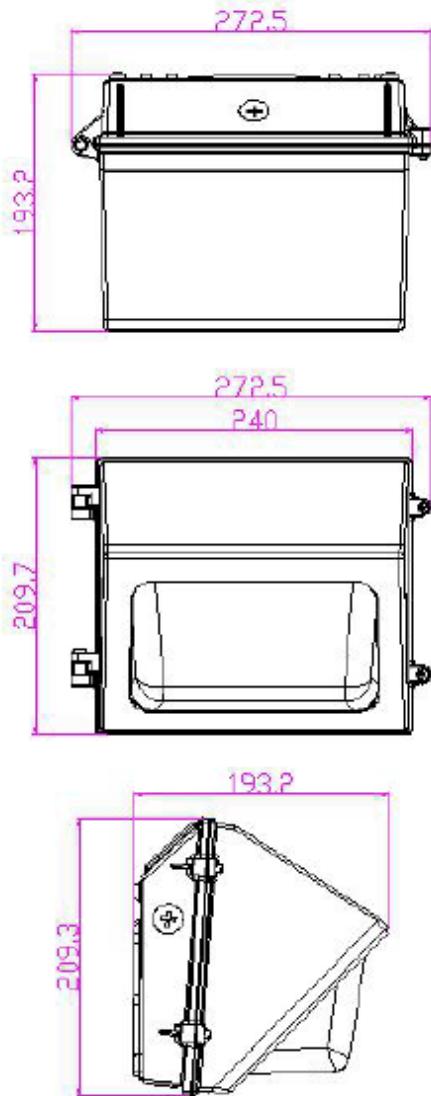
### ORDERING

Example: ECO-SCWP3-60-50-UL-BZ

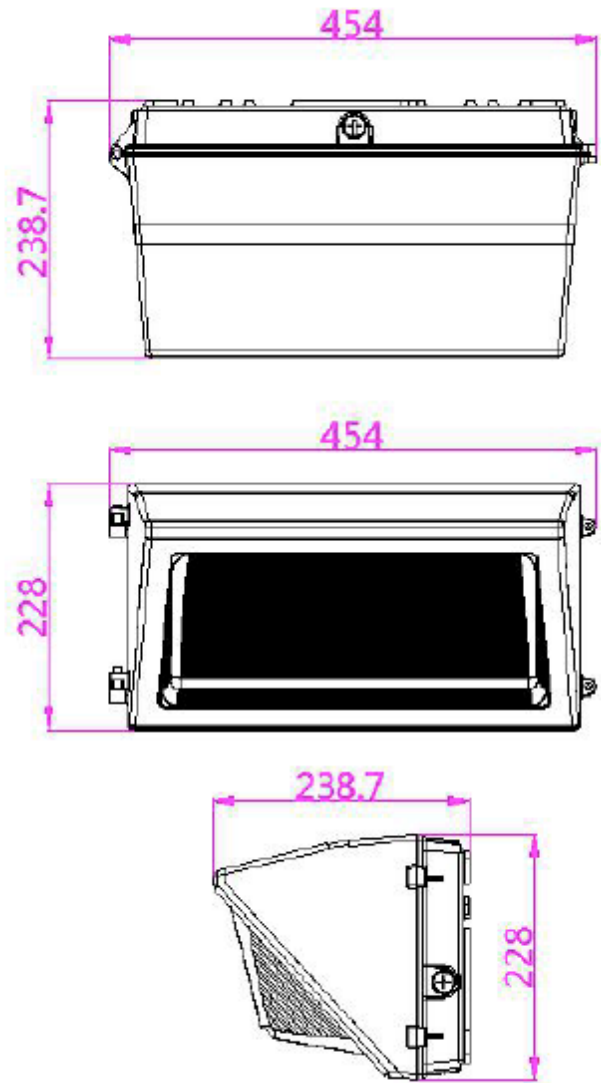
SKU Root	Wattage / Lumens	CCT	Voltage	Finish	Options
ECO-SCWP3	60 - 60W, 8,400 lm 120 - 120W, 17,400 lm	50 - 5000K	UL - 100-277V	BZ - Bronze	Blank - None

## DIMENSIONS

60W Model

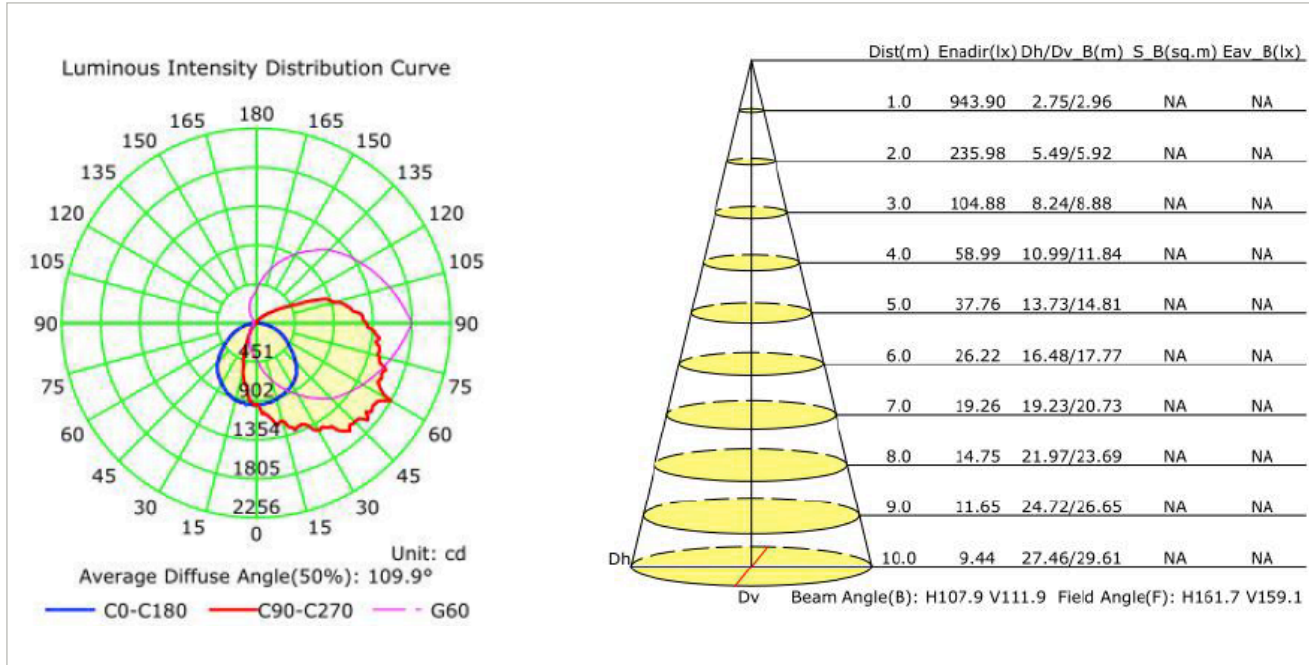


120W Model



PHOTOMETRICS

60W Model



120W Model

